

Hex inverter

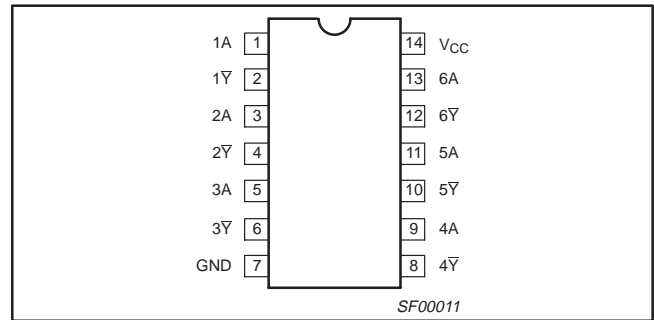
74F04

FEATURE

- Industrial temperature range available (-40°C to +85°C)

| TYPE | TYPICAL PROPAGATION DELAY | TYPICAL SUPPLY CURRENT (TOTAL) |
|-------|---------------------------|---------------------------------|
| 74F04 | 3.5ns | 6.9mA |

PIN CONFIGURATION



ORDERING INFORMATION

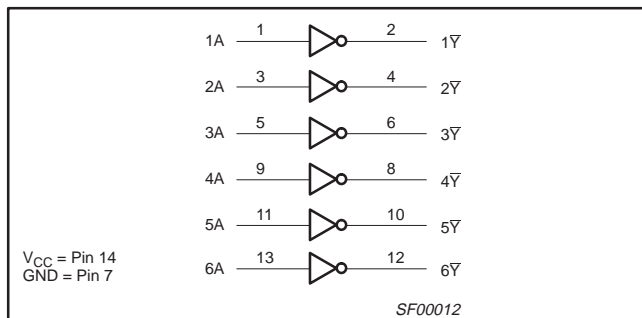
| DESCRIPTION | ORDER CODE | | PKG DWG # |
|--------------------|---|---|-----------|
| | COMMERCIAL RANGE $V_{CC} = 5V \pm 10\%$, $T_{amb} = 0^{\circ}C$ to $+70^{\circ}C$ | INDUSTRIAL RANGE $V_{CC} = 5V \pm 10\%$, $T_{amb} = -40^{\circ}C$ to $+85^{\circ}C$ | |
| 14-pin plastic DIP | N74F04N | I74F04N | SOT27-1 |
| 14-pin plastic SO | N74F04D | I74F04D | SOT108-1 |

INPUT AND OUTPUT LOADING AND FAN OUT TABLE

| PINS | DESCRIPTION | 74F (U.L.) HIGH/LOW | LOAD VALUE HIGH/LOW |
|-------------|-------------|---------------------|---------------------|
| nA | Data inputs | 1.0/1.0 | 20µA/0.6mA |
| n \bar{Y} | Data output | 50/33 | 1.0mA/20mA |

NOTE: One (1.0) FAST unit load is defined as: 20µA in the high state and 0.6mA in the low state.

LOGIC DIAGRAM

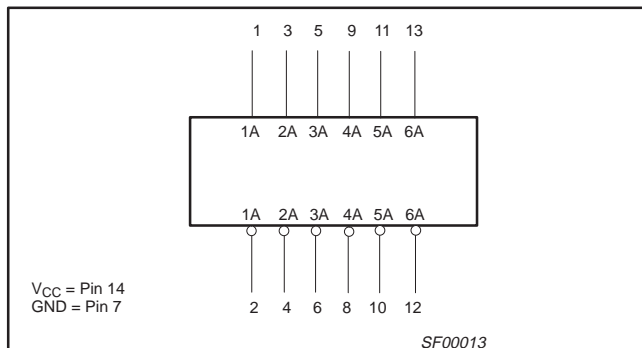


FUNCTION TABLE

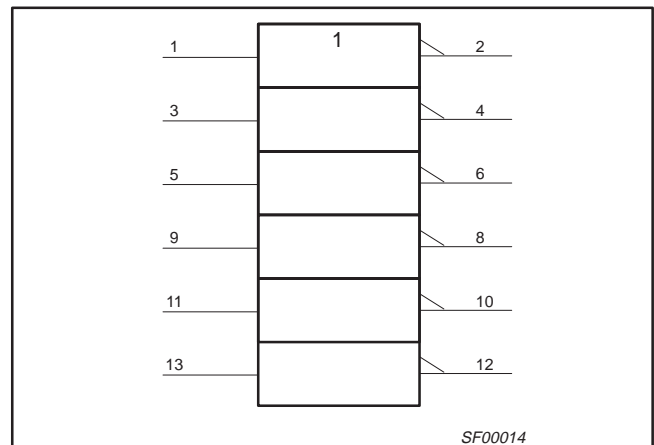
| INPUTS | OUTPUT |
|--------|-----------|
| A | \bar{Y} |
| L | H |
| H | L |

NOTES:
H = High voltage level
L = Low voltage level

LOGIC SYMBOL



IEC/IEEE SYMBOL



Hex inverter

74F04

ABSOLUTE MAXIMUM RATINGS

(Operation beyond the limit set forth in this table may impair the useful life of the device.
Unless otherwise noted these limits are over the operating free air temperature range.)

| SYMBOL | PARAMETER | | RATING | UNIT | |
|-----------|--|--|------------------|------------|----|
| V_{CC} | Supply voltage | | -0.5 to +7.0 | V | |
| V_{IN} | Input voltage | | -0.5 to +7.0 | V | |
| I_{IN} | Input current | | -30 to +5 | mA | |
| V_{OUT} | Voltage applied to output in high output state | | -0.5 to V_{CC} | V | |
| I_{OUT} | Current applied to output in low output state | | 40 | mA | |
| T_{amb} | Operating free air temperature range | | Commercial range | 0 to +70 | °C |
| | | | Industrial range | -40 to +85 | °C |
| T_{stg} | Storage temperature range | | -65 to +150 | °C | |

RECOMMENDED OPERATING CONDITIONS

| SYMBOL | PARAMETER | LIMITS | | | UNIT | |
|-----------|--------------------------------------|--------|------------------|-----|------|----|
| | | MIN | NOM | MAX | | |
| V_{CC} | Supply voltage | 4.5 | 5.0 | 5.5 | V | |
| V_{IH} | High-level input voltage | 2.0 | | | V | |
| V_{IL} | Low-level input voltage | | | 0.8 | V | |
| I_{IK} | Input clamp current | | | -18 | mA | |
| I_{OH} | High-level output current | | | -1 | mA | |
| I_{OL} | Low-level output current | | | 20 | mA | |
| T_{amb} | Operating free air temperature range | | Commercial range | 0 | +70 | °C |
| | | | Industrial range | -40 | +85 | °C |

DC ELECTRICAL CHARACTERISTICS

(Over recommended operating free-air temperature range unless otherwise noted.)

| SYMBOL | PARAMETER | TEST CONDITIONS ¹ | LIMITS | | | UNIT | |
|----------|---|--|-----------------------|------------------|------|---------|----|
| | | | MIN | TYP ² | MAX | | |
| V_{OH} | High-level output voltage | $V_{CC} = \text{MIN}, V_{IL} = \text{MAX}$ | $\pm 10\%V_{CC}$ | 2.5 | | V | |
| | | $V_{IH} = \text{MIN}, I_{OH} = \text{MAX}$ | $\pm 5\%V_{CC}$ | 2.7 | 3.4 | V | |
| V_{OL} | Low-level output voltage | $V_{CC} = \text{MIN}, V_{IL} = \text{MAX}$ | $\pm 10\%V_{CC}$ | | 0.30 | 0.50 | V |
| | | $V_{IH} = \text{MIN}, I_{OI} = \text{MAX}$ | $\pm 5\%V_{CC}$ | | 0.30 | 0.50 | V |
| V_{IK} | Input clamp voltage | $V_{CC} = \text{MIN}, I_I = I_{IK}$ | | -0.73 | -1.2 | V | |
| I_I | Input current at maximum input voltage | $V_{CC} = \text{MAX}, V_I = 7.0V$ | | | 100 | μA | |
| I_{IH} | High-level input current | $V_{CC} = \text{MAX}, V_I = 2.7V$ | | | 20 | μA | |
| I_{IL} | Low-level input current | $V_{CC} = \text{MAX}, V_I = 0.5V$ | | | -0.6 | mA | |
| I_{OS} | Short-circuit output current ³ | $V_{CC} = \text{MAX}$ | -60 | | -150 | mA | |
| I_{CC} | Supply current (total) | I_{CCH} $V_{CC} = \text{MAX}$ | $V_{IN} = \text{GND}$ | | 2.8 | 4.2 | mA |
| | | I_{CCL} $V_{CC} = \text{MAX}$ | $V_{IN} = 4.5V$ | | 10.2 | 15.3 | mA |

NOTES:

- For conditions shown as MIN or MAX, use the appropriate value specified under recommended operating conditions for the applicable type.
- All typical values are at $V_{CC} = 5V, T_{amb} = 25^\circ C$.
- Not more than one output should be shorted at a time. For testing I_{OS} , the use of high-speed test apparatus and/or sample-and-hold techniques are preferable in order to minimize internal heating and more accurately reflect operational values. Otherwise, prolonged shorting of a high output may raise the chip temperature well above normal and thereby cause invalid readings in other parameter tests. In any sequence of parameter tests, I_{OS} tests should be performed last.

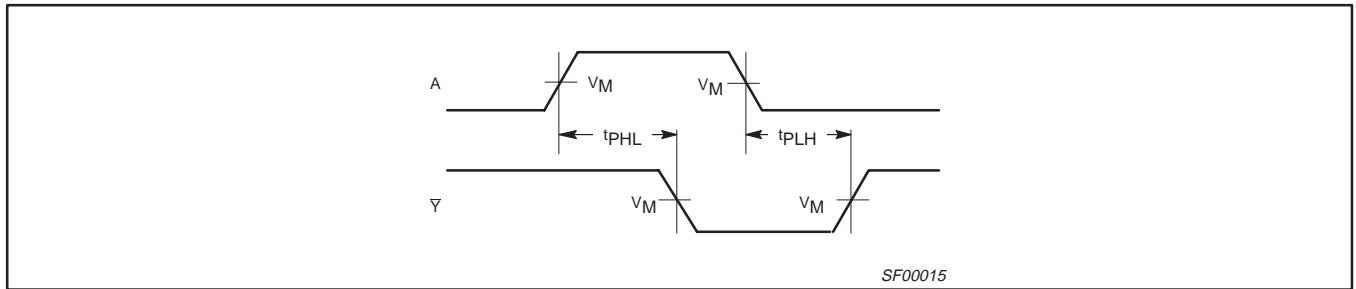
Hex inverter

74F04

AC ELECTRICAL CHARACTERISTICS

| SYMBOL | PARAMETER | TEST CONDITION | LIMITS | | | | | | UNIT | |
|------------------------|-------------------------------------|----------------|---|------------|------------|---|------------|---|------------|-----|
| | | | $V_{CC} = +5.0V$ $T_{amb} = +25^{\circ}C$ $C_L = 50pF, R_L = 500\Omega$ | | | $V_{CC} = +5.0V \pm 10\%$ $T_{amb} = 0^{\circ}C \text{ to } +70^{\circ}C$ $C_L = 50pF, R_L = 500\Omega$ | | $V_{CC} = +5.0V \pm 10\%$ $T_{amb} = -40^{\circ}C \text{ to } +85^{\circ}C$ $C_L = 50pF, R_L = 500\Omega$ | | |
| | | | MIN | TYP | MAX | MIN | MAX | MIN | | MAX |
| t_{PLH} t_{PHL} | Propagation delay A to \bar{Y} | Waveform 1 | 2.4 1.5 | 3.7 3.2 | 5.0 4.3 | 2.4 1.5 | 6.0 5.3 | 1.5 1.1 | 8.0 6.5 | ns |

AC WAVEFORMS



Waveform 1. Propagation delay for inverting outputs

NOTE:

For all waveforms, $V_M = 1.5V$.

TEST CIRCUIT AND WAVEFORMS

Test Circuit for Totem-Pole Outputs

Input Pulse Definition

DEFINITIONS:

R_L = Load resistor; see AC ELECTRICAL CHARACTERISTICS for value.

C_L = Load capacitance includes jig and probe capacitance; see AC ELECTRICAL CHARACTERISTICS for value.

R_T = Termination resistance should be equal to Z_{OUT} of pulse generators.

| family | INPUT PULSE REQUIREMENTS | | | | | |
|--------|--------------------------|-------|-----------|-------|-----------|-----------|
| | amplitude | V_M | rep. rate | t_w | t_{TLH} | t_{THL} |
| 74F | 3.0V | 1.5V | 1MHz | 500ns | 2.5ns | 2.5ns |

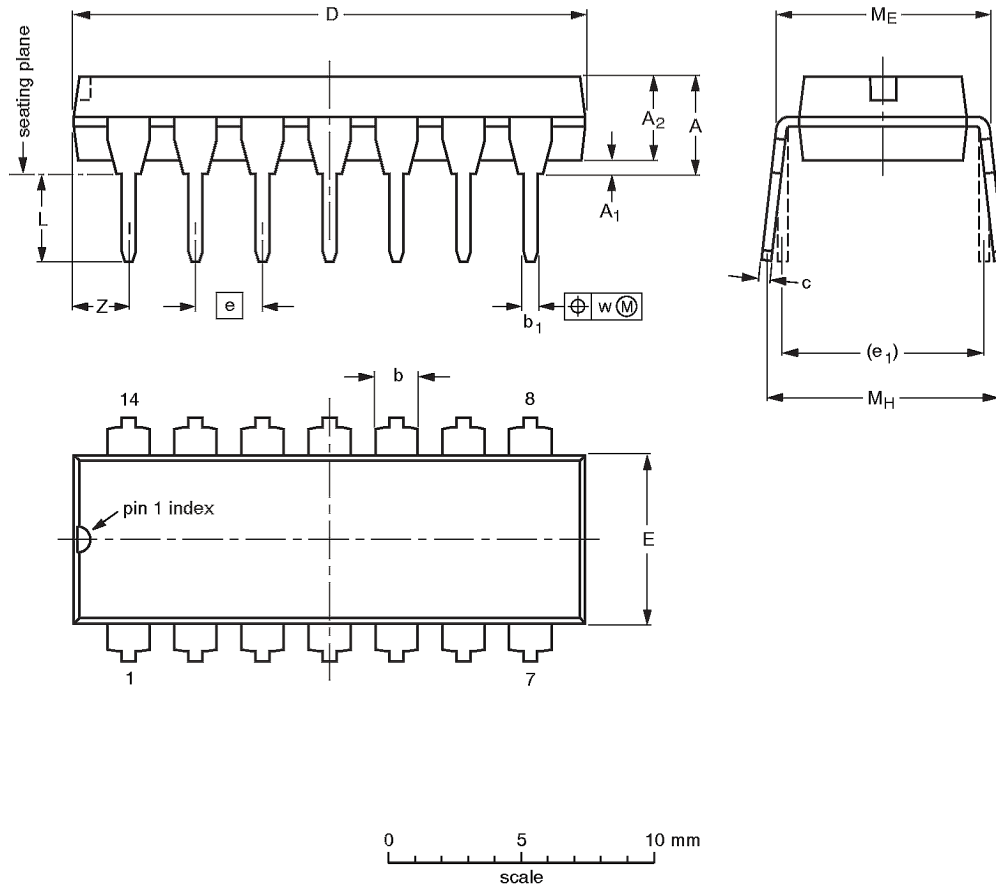
SF00006

Hex inverter

74F04

DIP14: plastic dual in-line package; 14 leads (300 mil)

SOT27-1



DIMENSIONS (inch dimensions are derived from the original mm dimensions)

| UNIT | A max. | A ₁ min. | A ₂ max. | b | b ₁ | c | D ⁽¹⁾ | E ⁽¹⁾ | e | e ₁ | L | M _E | M _H | w | Z ⁽¹⁾ max. |
|--------|--------|---------------------|---------------------|----------------|----------------|----------------|------------------|------------------|------|----------------|--------------|----------------|----------------|-------|-----------------------|
| mm | 4.2 | 0.51 | 3.2 | 1.73 1.13 | 0.53 0.38 | 0.36 0.23 | 19.50 18.55 | 6.48 6.20 | 2.54 | 7.62 | 3.60 3.05 | 8.25 7.80 | 10.0 8.3 | 0.254 | 2.2 |
| inches | 0.17 | 0.020 | 0.13 | 0.068 0.044 | 0.021 0.015 | 0.014 0.009 | 0.77 0.73 | 0.26 0.24 | 0.10 | 0.30 | 0.14 0.12 | 0.32 0.31 | 0.39 0.33 | 0.01 | 0.087 |

Note

1. Plastic or metal protrusions of 0.25 mm maximum per side are not included.

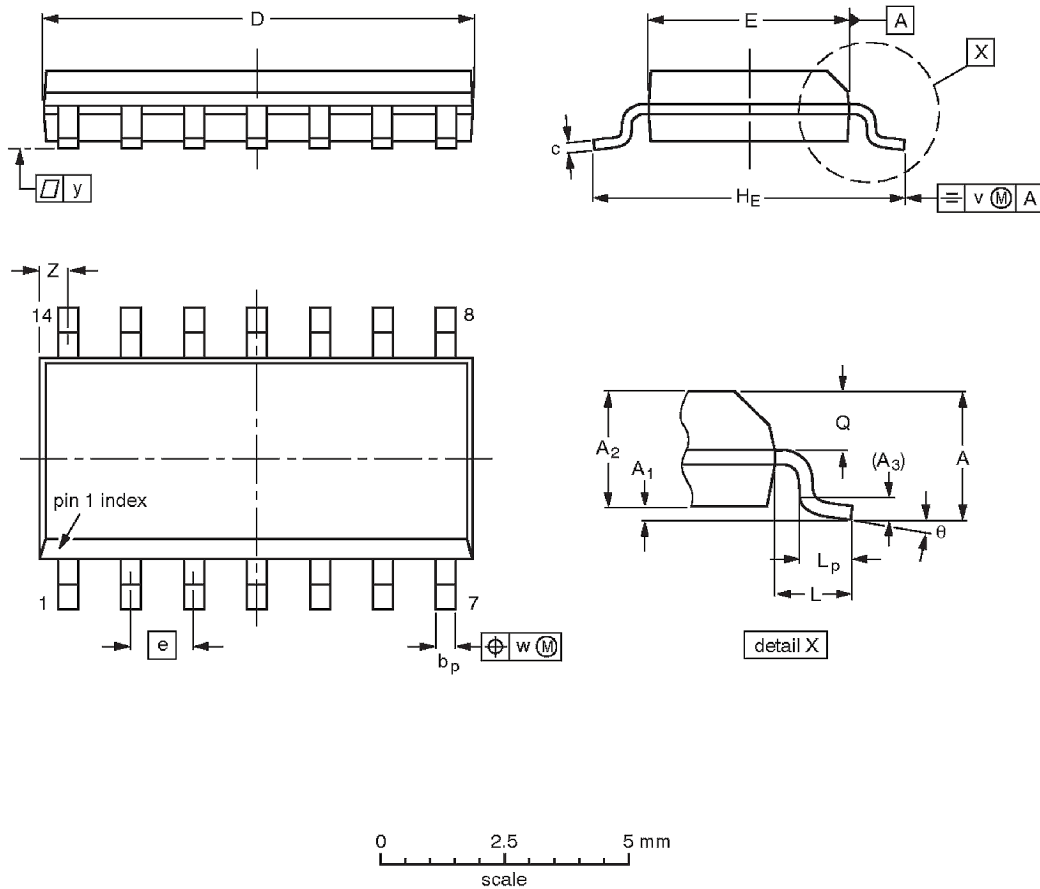
| OUTLINE VERSION | REFERENCES | | | EUROPEAN PROJECTION |
|-----------------|------------|----------|------|---------------------|
| | IEC | JEDEC | EIAJ | |
| SOT27-1 | 050G04 | MO-001AA | | |

Hex inverter

74F04

SO14: plastic small outline package; 14 leads; body width 3.9 mm

SOT108-1



DIMENSIONS (inch dimensions are derived from the original mm dimensions)

| UNIT | A max. | A ₁ | A ₂ | A ₃ | b _p | c | D ⁽¹⁾ | E ⁽¹⁾ | e | H _E | L | L _p | Q | v | w | y | Z ⁽¹⁾ | θ |
|--------|--------|----------------|----------------|----------------|----------------|------------------|------------------|------------------|-------|----------------|-------|----------------|----------------|------|------|-------|------------------|----------|
| mm | 1.75 | 0.25 0.10 | 1.45 1.25 | 0.25 | 0.49 0.36 | 0.25 0.19 | 8.75 8.55 | 4.0 3.8 | 1.27 | 6.2 5.8 | 1.05 | 1.0 0.4 | 0.7 0.6 | 0.25 | 0.25 | 0.1 | 0.7 0.3 | 8° 0° |
| inches | 0.069 | 0.010 0.004 | 0.057 0.049 | 0.01 | 0.019 0.014 | 0.0100 0.0075 | 0.35 0.34 | 0.16 0.15 | 0.050 | 0.244 0.228 | 0.041 | 0.039 0.016 | 0.028 0.024 | 0.01 | 0.01 | 0.004 | 0.028 0.012 | |

Note

1. Plastic or metal protrusions of 0.15 mm maximum per side are not included.

| OUTLINE VERSION | REFERENCES | | | | EUROPEAN PROJECTION |
|-----------------|------------|----------|------|--|---------------------|
| | IEC | JEDEC | EIAJ | | |
| SOT108-1 | 076E06S | MS-012AB | | | |